

# İSPANYOLET KOLLU PANO KİLİTLERİ

SWING HANDLE LOCKS WITH ROD CONTROL SYSTEM

010

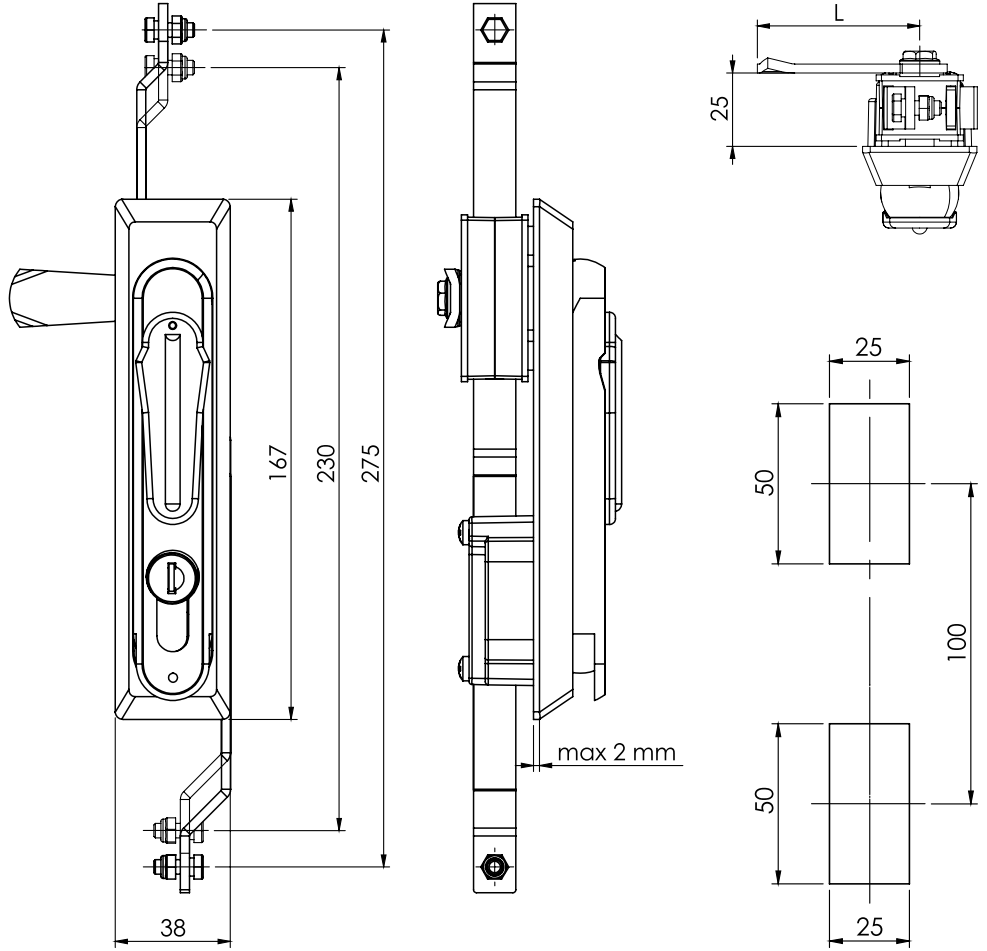
Kollu Pano Kilidi / Swing Handle

IP65

L / R



Asma Kilit  
Padlock Device Selectable



## KULLANIM ALANLARI:

Elektrik Panoları, Makine Kapakları,  
Bilgisayar Kabinleri

## APPLICATIONS:

Electric Panels, Machinery Covers,  
Rack Cabinets

Kod  
Code

010

Mekanizma  
Mechanism

M

Barel  
Cylinder

CC

Dil  
Cam

CM

Asma Kilit İçin

A

Padlock Device

## MALZEME / MATERIAL

GÖVDE BODY	Poliamid Polyamide
KOL HANDLE	Poliamid Polyamide
MEKANİZMA MECHANISM	Zamak veya Poliamid Zinc Die or Polyamide
DİL CAM	Çelik Steel
CONTA SEAL	Poliüretan Polyurethane

## MEKANİZMA / MECHANISM

Zamak / Zinc Die	M1
Poliamid / Polyamide	M2

## BAREL / CYLINDER TYPE (CC)

Aynı Şifreli / Keyed Alike	01
Farklı Şifre / Keyed Different	02
Eurokey (1333)	03

## BAREL / CYLINDER TYPE (CC)

04	5 mm / DB	
05	8 mm Kare / Square	
06	9 mm Üçgen / Triangle	
08	10,5 mm Yarım Ay Half Round	

## TIRNAKSIZ DİLLER / CAMS WITHOUT STOPPER (CM)

CODE	01	02	05	06	07	08	09	010	019	043	045	046	086
H	14	24	0	16	6	12	0	7	0	0	4	10	6
L	48	48	46	46	52	50	54	44	64	44	43	48	62