

ANAHTARLAR KEYS

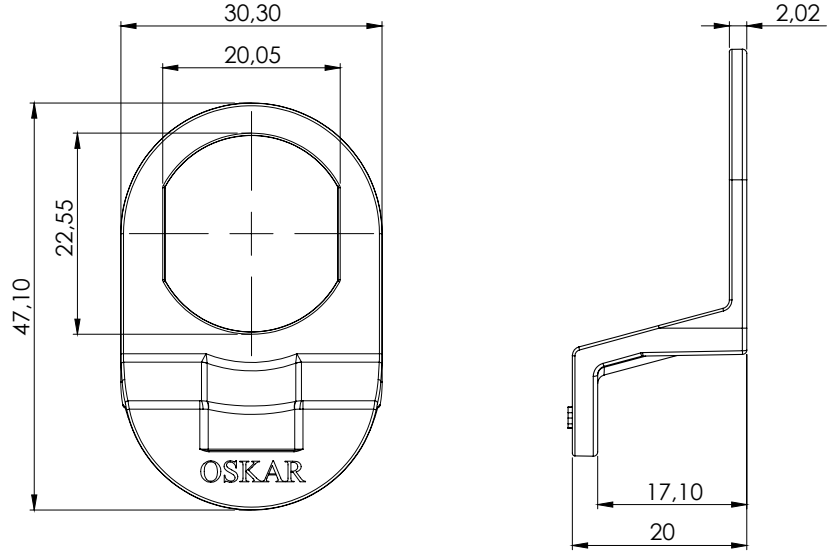
214

Kilit Tutamağı / Handle for Lock



MALZEME / MATERIAL

GÖVDE BODY	Poliamid Polyamide
---------------	-----------------------



217

Plastik Toz Kapağı / Dust Cap



VERSION

V1

MALZEME / MATERIAL

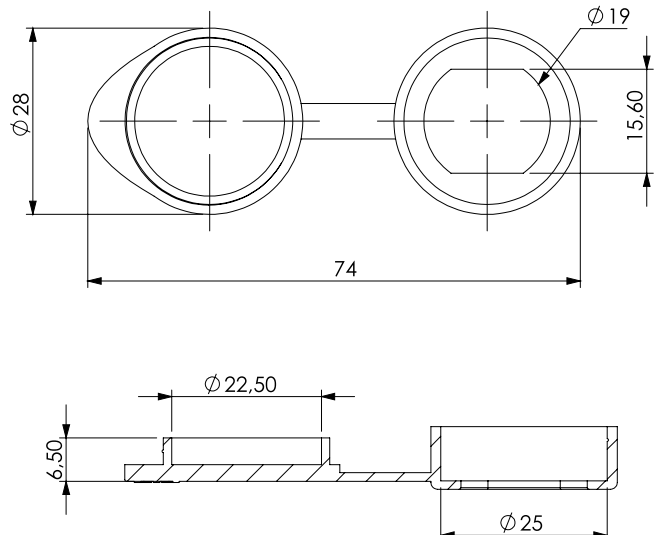
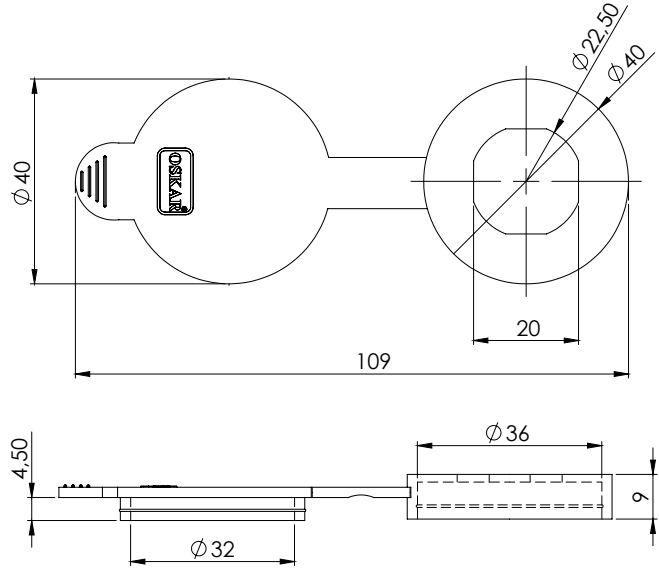
GÖVDE / BODY	Elastomer / Elastomer
--------------	-----------------------

KULLANIM ALANLARI:

Pano Kilitleri

APPLICATIONS:

For Panels Locks



NEW



VERSION

V2

MALZEME / MATERIAL

GÖVDE / BODY	Polietilen/Polyethylene
--------------	-------------------------