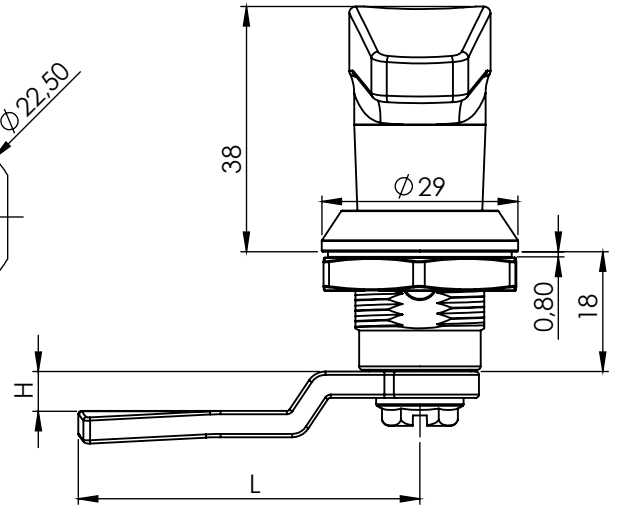
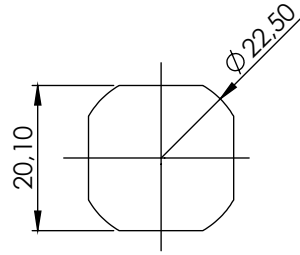
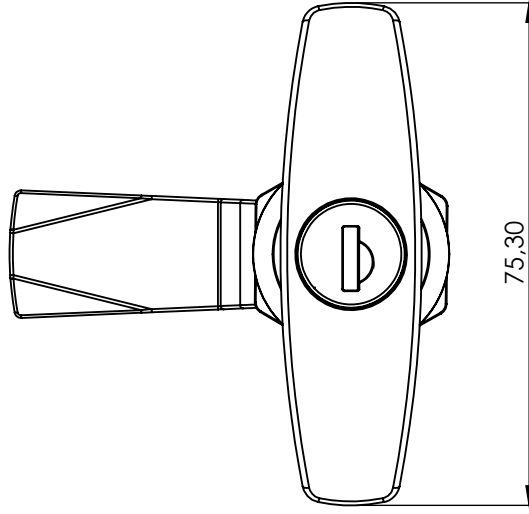


KOLLU PANO KİLİTLERİ

SWING HANDLES

246

T Kollu Pano Kilidi / T Handle Lock



KULLANIM ALANLARI:

Elektrik Panoları, Makine Kapakları, Bilgisayar Kabinleri

APPLICATIONS:

Electric Panels, Machinery Covers, Rack Cabinets

MALZEME / MATERIAL	
GÖVDE BODY	Zamak Zinc Die
KOL HANDLE	Zamak Zinc Die
DİL CAM	Çelik Steel

Kod Code	Yüzey Finishing	Barel Cylinder	Dil Cam
246	F	CC	CM

İSP. TIRNAKSIZ DİLLER / WITHOUT STOPPER CAMS FOR ROD CONTROL (CM)

CODE	03	020	053	054	055	064
H	8	0	0	12	4	0
L	49	51	60	54	52	55

YÜZEY / FINISHING	CODE
Krom Kaplama / Chrome Plated	1
Siyah Toz Boya / Black Powder Coated	2

BAREL / CYLINDER TYPE (CC)	CODE
Aynı Şifreli / Keyed Alike	01
Farklı Şifre / Keyed Different	02
Eurokey (1333)	03

TIRNAKSIZ DİLLER / CAMS WITHOUT STOPPER (CM)													
CODE	01	02	05	06	07	08	09	010	019	043	045	046	086
H	14	24	0	16	6	12	0	7	0	0	4	10	6
L	48	48	46	46	52	50	54	44	64	44	43	48	62